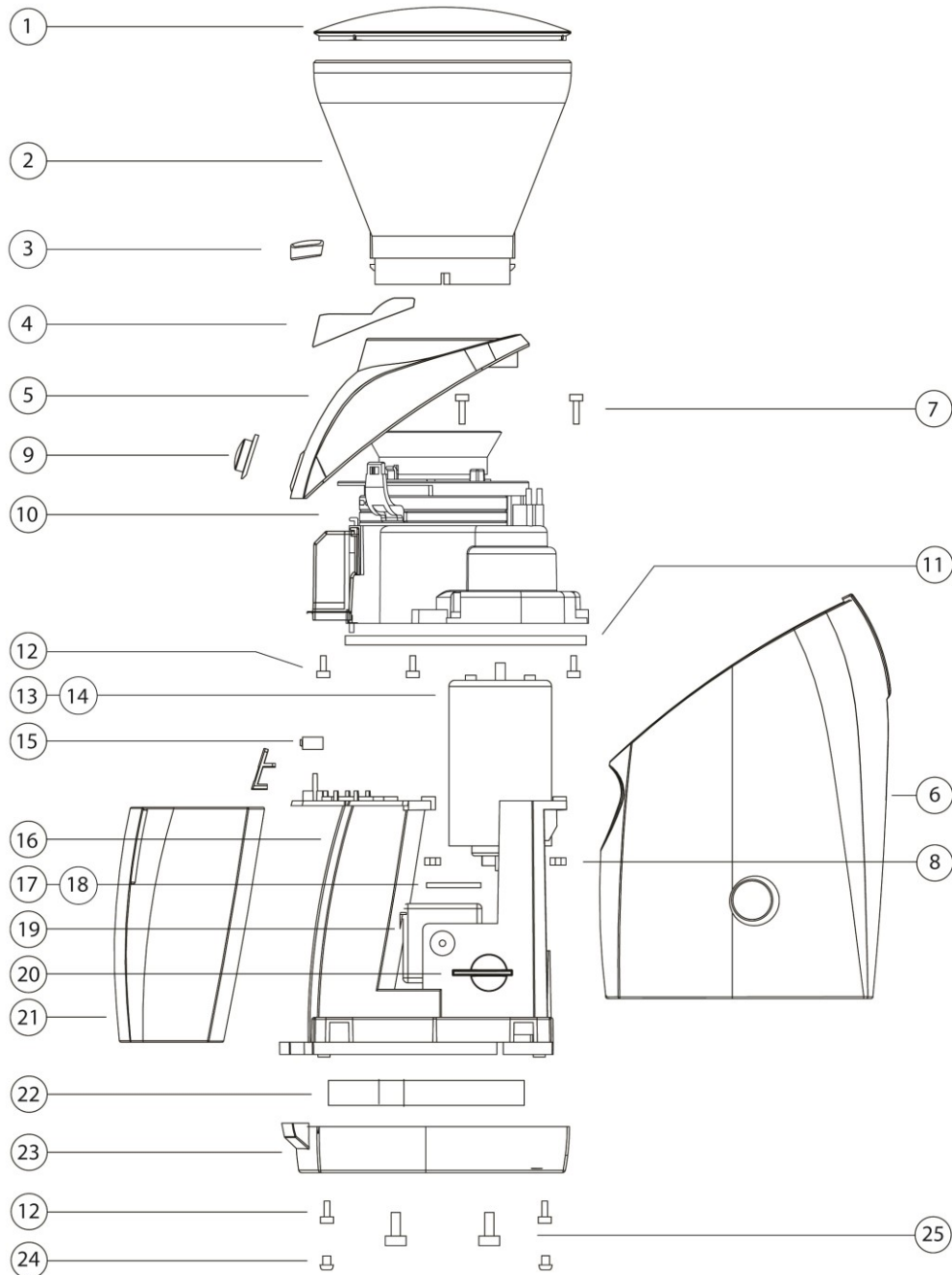


Parts List and Exploded Views

Preciso Main Assembly

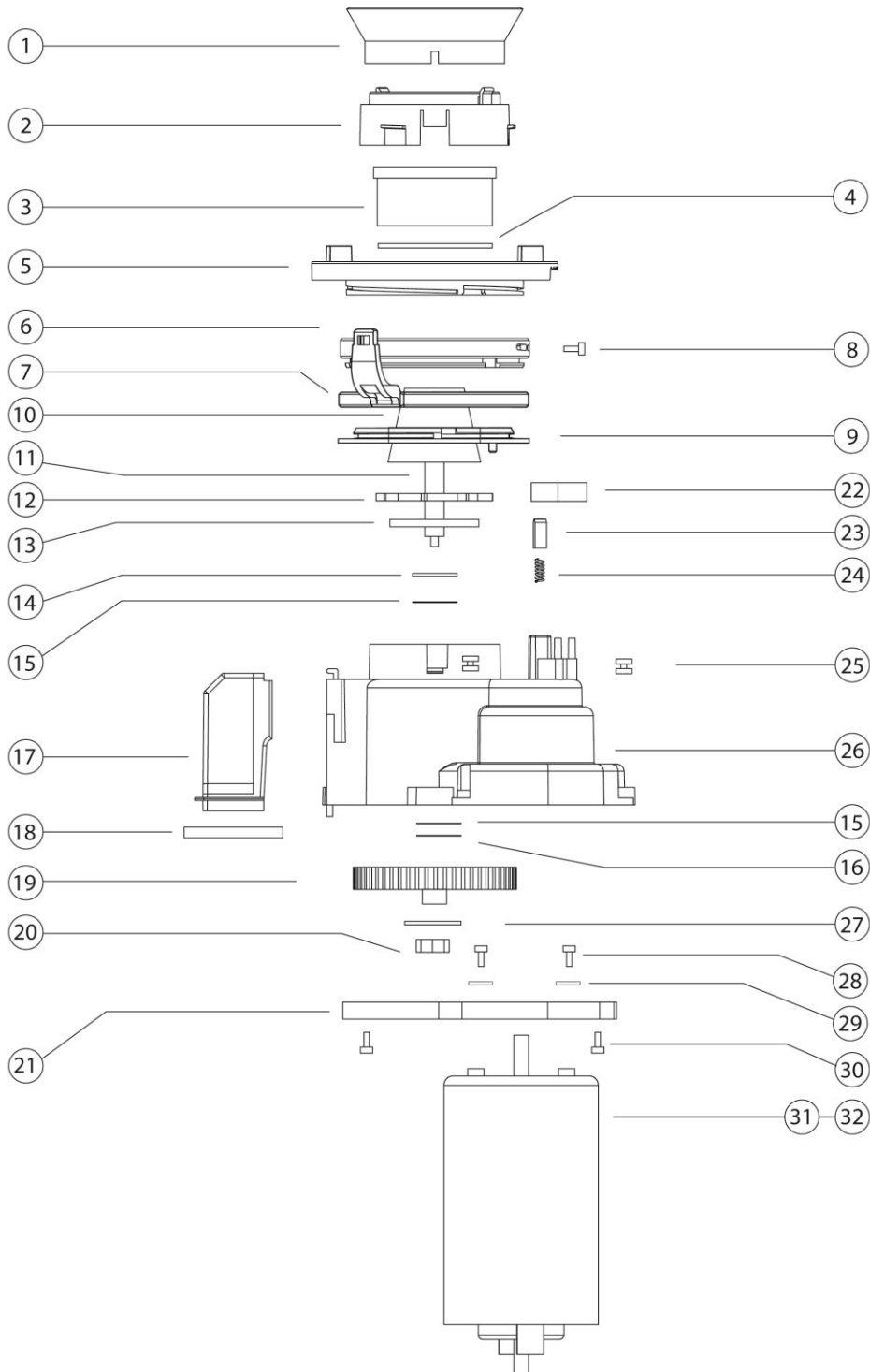


Preciso Main Assembly

Item #	Part #	Part Description	Total Used
1	6010*	Hopper Lid	1
2	6011**	Hopper	1
3	6150	Micro Adjustment Knob	1
4	6166	Micro Adjustment Bezel	1
5	6015	Top Case	1
6	6050	Rear Case	1
7	6119**	Gearbox Chassis Through Bolts M3x20	2
8	6120**	Gearbox Chassis Through Bolts Nut	2
9	6016	Silicon Pulse Button	1
10	na	Gearbox Assembly	1
11	6094*	Conical Motor Plate	1
12	6121	M3x12 Motor Mounting Screw	1
13	6026**	120v Motor	1
14	6027**	230v Motor	1
15	6032*	Micro Switch w/ Bracket	1
16	6035*	Chassis	1
17	6082*	120v Printed Circuit Board	1
18	6083*	230v Printed Circuit Board	1
19	6036	Timer Switch + Nut (D- Shape)	1
20	6139	Knob For Virt (D-Shape)	1
21	6042	Grounds Bin	1
22	8020	Metal Ballast	1
23	6044	Metal Base	1
24	6049	Rubber Feet	4
25	6122	Screw Ballast	2

** Frequently needed service parts *Occasionally needed service parts NOTE: No need to stock parts without asterisks.

Preciso Grind/Motor Assembly



Preciso Grind/Motor Assembly

Item #	Part #	Part Description	Total Used
1	6066**	Silicone Gasket	1
2	6068**	Ring Burr Holder	1
3	6170	M2 Ring Burr	1
4	6065	Ring Burr O-Ring	1
5	6076**	Adjustment Ring	1
6	6154**	Calibration Ring	1
7	6155	Micro Adjustment Arm	1
8	6177**	Calibration Set Screw	1
9	6151**	Adjustment Mounting Ring	1
10	6175	M2 Cone Burr	1
11	6078	Drive Shaft	1
12	6080**	Paddle Wheel	1
13	6081**	Paddle Wheel Felt	1
14	6084*	1.5mm Shim	1
15	6086*	0.5mm Shim	2
16	6085*	0.25mm Shim	2
17	6088	Grounds Chute	1
18	6089	Grounds Chute Gasket	1
19	6091**	Main Drive Gear	1
20	6192	13mm Drive Shaft Nut	1
21	6094*	Motor Mounting Plate	1
22	6032*	Micro Switch w/ Bracket	1
23	6196**	Detent	1
24	6197*	Detent Spring	1
25	6105*	Grommet Sleeve Assembly	3
26	6000	Gear Box Housing	1
27	6193	Drive Shaft Lock Washer	1
28	6189	Motor Plate Mounting Screws	2
29	6190	Motor Plate Lock Washers	2
30	6121	M3x12 Motor Mounting Screw	4
31	6026**	120v Motor	1
32	6027**	230v Motor	1

** Frequently needed service parts *Occasionally needed service parts NOTE: No need to stock parts without asterisks