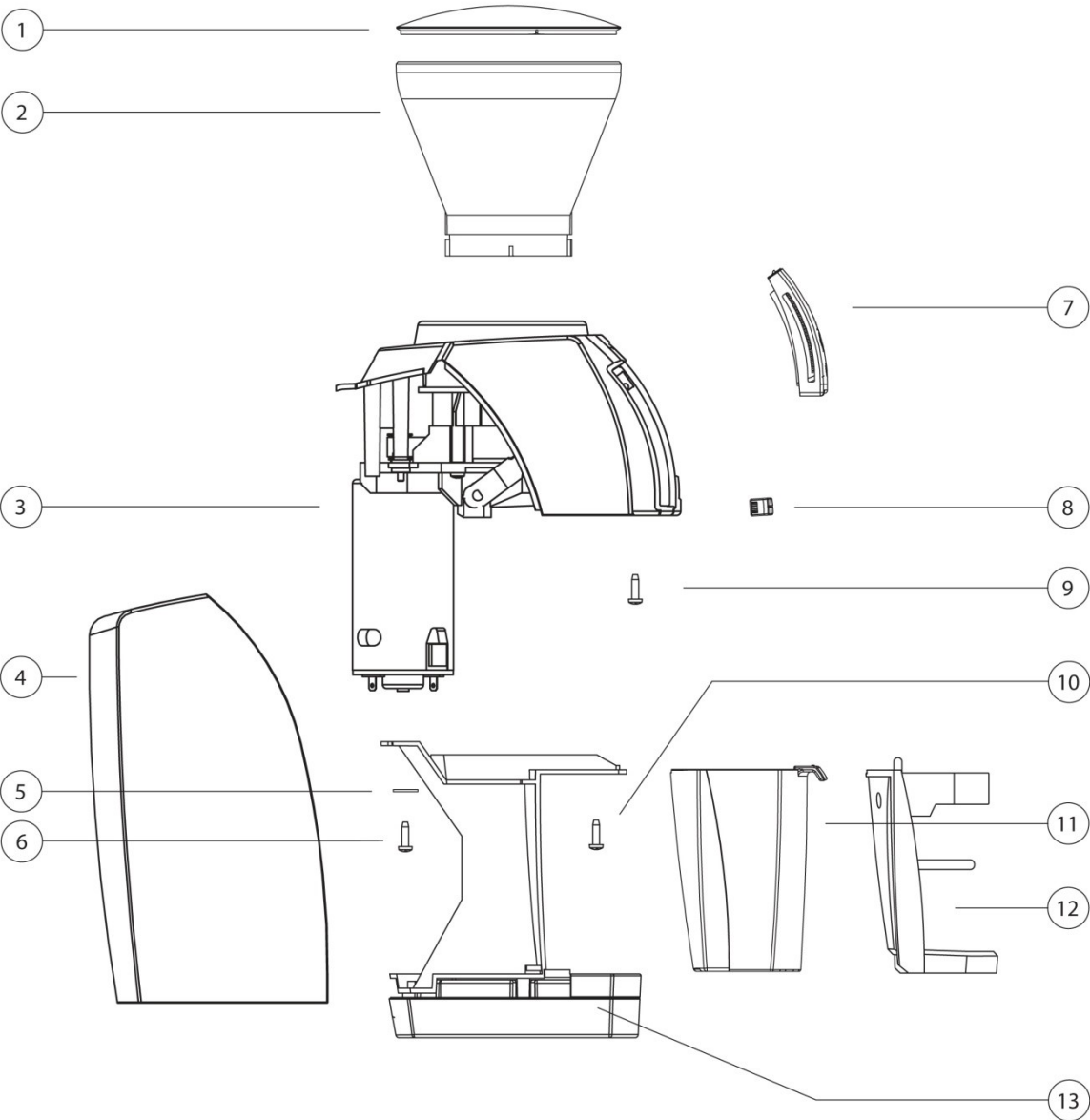


Parts List and Exploded Views VARIO

VARIO Primary Components



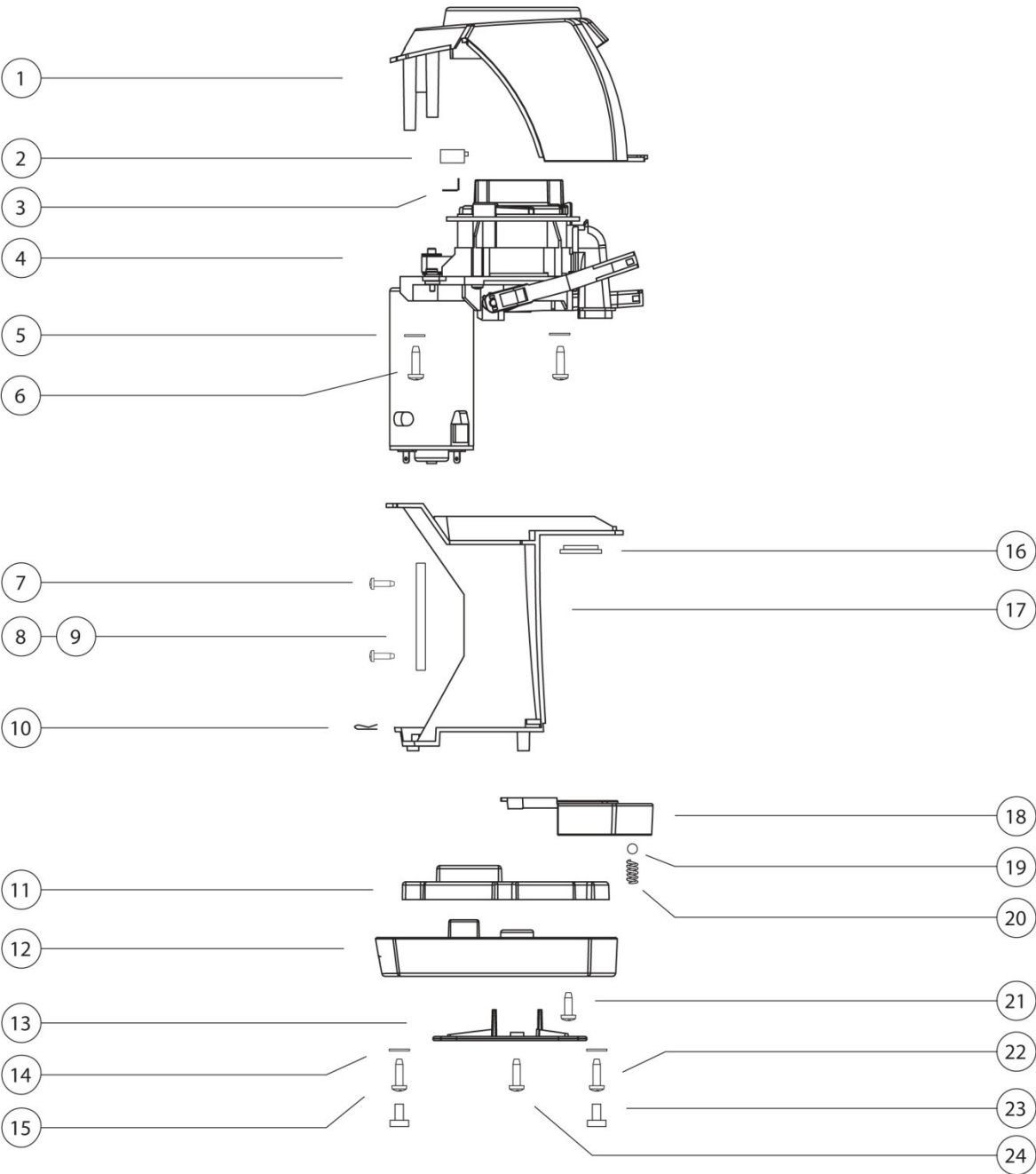
VARIO Primary Components			
Item #	Part #	Part Description	Total Used
1	6010	Lid for Hopper (frosted)	1
2	6011**	Hopper	1
3	NA	Grind Chamber Top Casting (Assembly)	1
4	8035	Black Plastic Rear Housing	1
5	8093*	Washer 3mm	2
6	8029*	Philips M3x12	2
7	8075*	Vario Display Assembly	1
8	8050**	Vario Knob	2
9	8275*	Phillips Screw for Mounting Display Panel	1
10	8214*	M3 Phillips Screw	2
11	8160*	Grounds Bin	1
12	8150*	PortaHolder Complete	1
13	NA	Main Structure (Assembly)	1

** Frequently needed service parts.

*Occasionally needed service parts.

No need to stock the parts without asterisks.

VARIO Mechanical Assembly



VARIO Mechanical Assembly

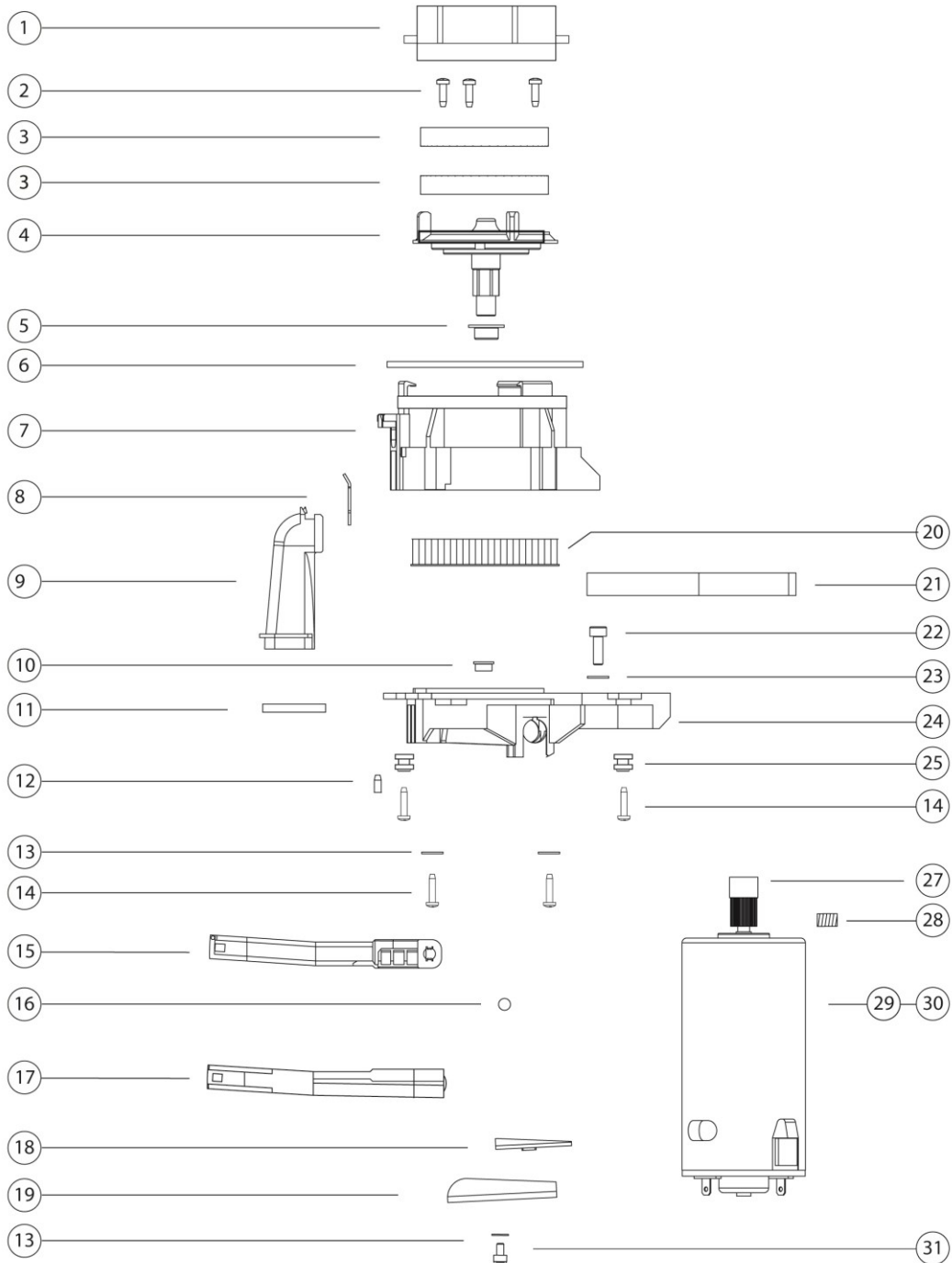
Item #	Part #	Part Description	Total Used
1	8301	Top Casting	1
2	6032	Micro Switch	1
3	8032	L-Bracket for Microswitch	1
4	NA	Grinding Chamber Assembly	1
5	8093	Washer 3mm	6
6	8302*	Phillips Pt 3.5x16 Assembly	4
7	8260*	Phillips Screw 3x7	4
8	8060**	110v Power Board	1
9	8061**	230v Power Board	1
10	8223	Tinnerman Clip	2
11	8020	Metal Ballast	1
12	8321	Black Plastic Base	1
13	8322	Black Plastic Cord Cover	1
14	8093*	Washer 3mm	2
15	8235*	Phillips Screw 3x20	2
16	8094	Calibration Grommet	1
17	8023	Vario Chassis	1
18	8028	Vario Belt Casting	1
19	8127	PortaHolder Ball	1
20	8128	PortaHolder Ball Spring	1
21	6246	Phillips Screw 8.1x1/4x 8.5	2
22	8228	Phillips M3x10	2
23	6049*	Rubber Feet	4
24	6047	Phillips Screw Pt 3.5x16	5
NS	6028*	Motor Ground Wire	1

** Frequently needed service parts.

*Occasionally needed service parts.

No need to stock the parts without asterisks.

VARIO Grind Assembly Components



VARIO Grind Assembly Components

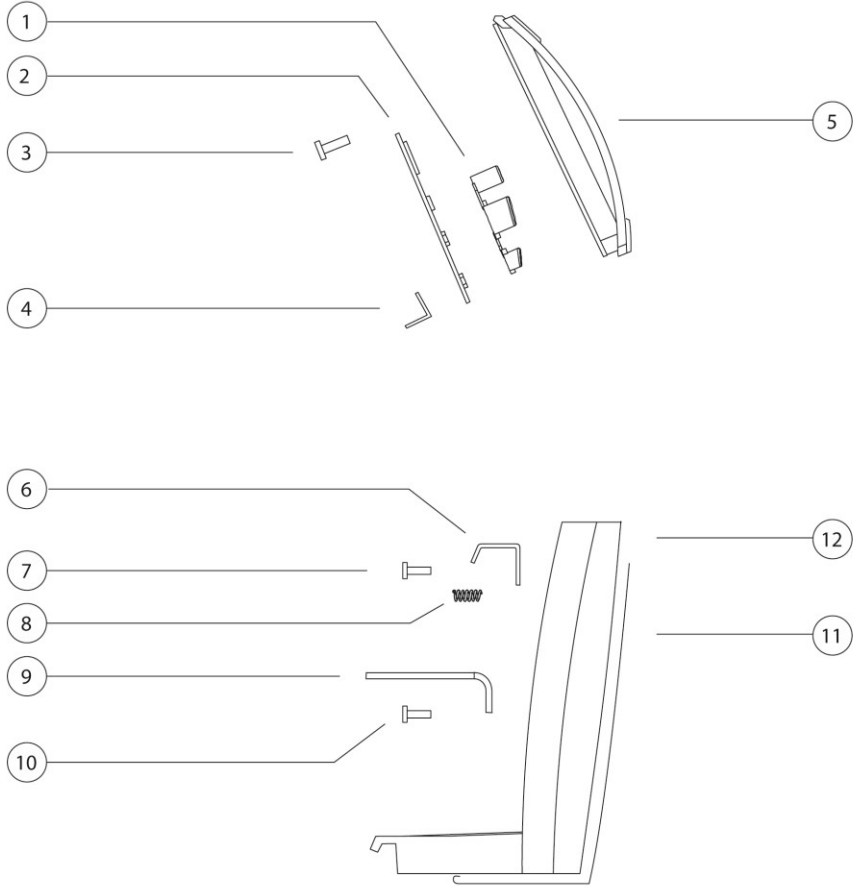
Item #	Part #	Part Description	Total Used
1	8067	Upper Burr Carrier (rev. 1.2) shrt wing not threaded	1
2	8269*	Ceramic Burr Retaining Screws	6
3	8174*	Ceramic Burrs (each)	1
4	8070	Vario Rotating Burr Carrier	1
5	8058	Upper Bushing	1
6	8224	Grind Chamber Gasket	1
7	8024	Plastic Grind Chamber	1
8	8087	Anti-Static Flapper	1
9	8088	Discharge Chute	1
10	8059	Lower Bushing	1
11	8089	Ground Chute Gasket (Vario)	1
12	8096*	Secondary Calibration Screw	1
13	8093	Washer 3mm	4
14	8029*	Phillips M3x12	4
15	8053*	Plastic Micro Adjustment Arm	1
16	8051*	Micro Cam	1
17	8052*	Plastic Macro Adjustment Arm	1
18	8046*	Grind Adjustment Spline	1
19	8045*	Adjustment Rocker	1
20	8056*	Vario Main Drive Pulley with Metal Sleeve	1
21	8077**	HTD Belt 112mxt	1
22	8026*	Allen Head Screw M5x12	2
23	8076*	Star Washer 5mm	2
24	8091	Motor Plate	1
25	6105	Grommet Sleeve Assembly	4
27	8090**	Motor Pulley	1
28	8296**	Pointed Drive Pulley Set Screw	1
29	6026*	110v Motor	1
30	6027*	230v Motor	1
31	8095*	Primary Calibration Screw	1
NS	6390**	Vario Belt and Pulley	1
NS	8097	Jumper Wire P3 to Display	1
NS	8098	Jumper Wire P3 to Microswitch	1

** Frequently needed service parts.

*Occasionally needed service parts.

No need to stock the parts without asterisks.

VARIO Front Panel and PortaHolder



VARIO Front Panel and PortaHolder

Item #	Part #	Part Description	Total Used
1	8175	LCD Buttons	1
2	8176	LCD Board	1
3	8177	Phillips (2.6x5)	4
4	8178	LCD Mounting Bracket	1
5	8179	LCD Plastic Bezel	1
6	1351	Metal PortaHolder Forks for Forté	1
7	1352	Metal PortaHolder Funnel	1
8	1350*	PortaHolder (Main Part)	1
9	1353	Rubber Sleeves for PortaHolder Forks	2
10	1252	Copper Phillips Screw M5x12	2
NS	8500*	Adjustment Tool	1
NS	8550*	Burr Removal Tool	1

** Frequently needed service parts.

*Occasionally needed service parts.

No need to stock the parts without asterisks.