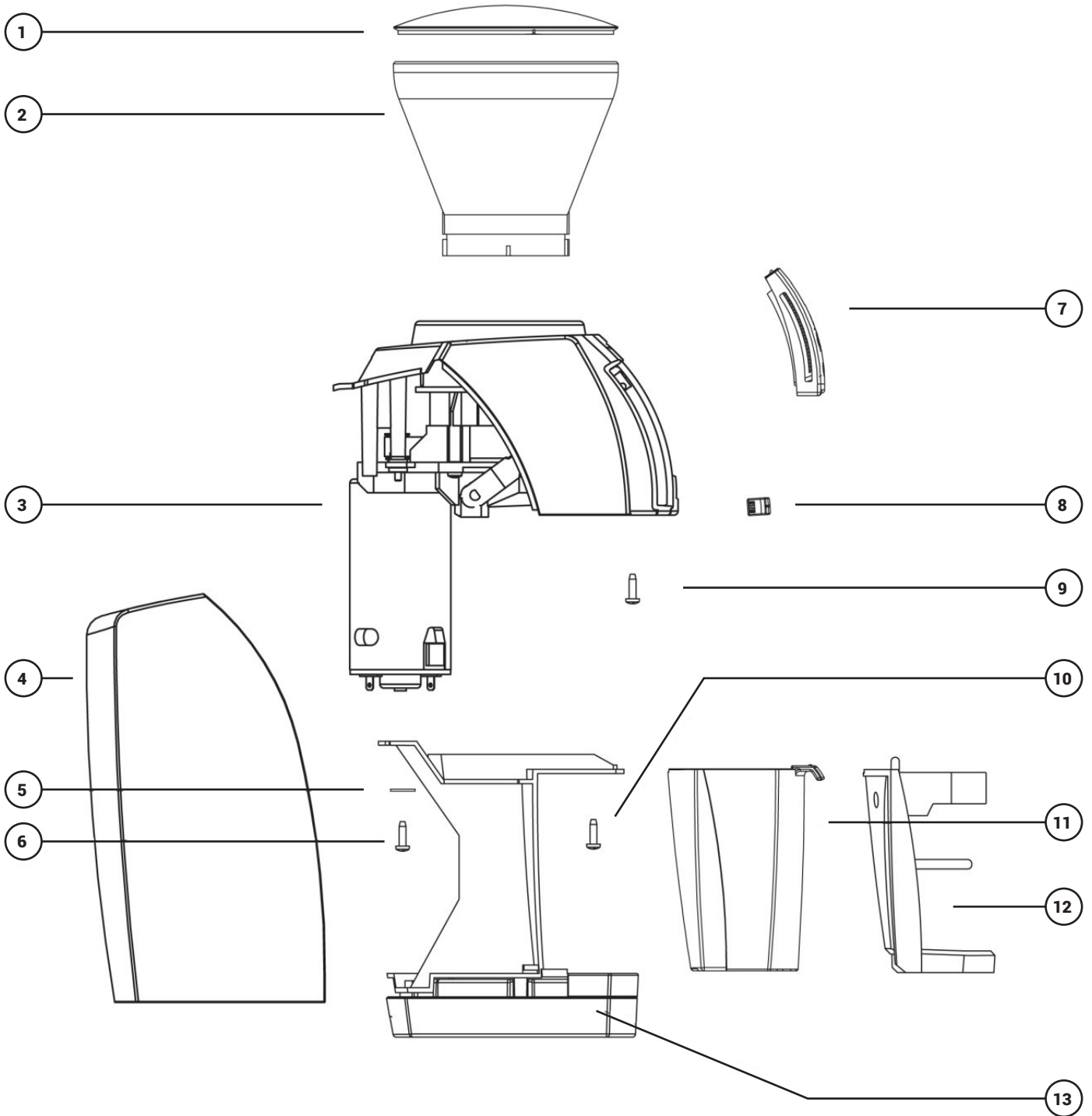




VARIO

Parts List & Exploded View

VARIO PRIMARY COMPONENTS



VARIO PRIMARY COMPONENTS

Item #	Part #	Part Description	Total Used
1	1010*	Hopper Lid Clear	1
2	6111**	Hopper (Clear)	1
3	NA	Grind Chamber Top Casting (Assembly)	1
4	8035	Black Plastic Rear Housing	1
5	F8093*	M3 External Tooth Star Lock Washer	2
6	F8029*	M3x12 Machine Screw	2
7	8075*	Vario Display Assembly	1
8	8050**	Vario Knob	2
9	F8275*	M3x5 Countersunk Self-Tapping Screw	1
10	F8214*	M3x4 Countersunk Machine Screw	2
11	8160*	Grounds Bin (Vario)	1
12	1050*	Metal Porta-Holder (Complete Assembly)	1
13	NA	Main Structure (Assembly)	1

** Frequently needed service parts

* Occasionally needed service parts

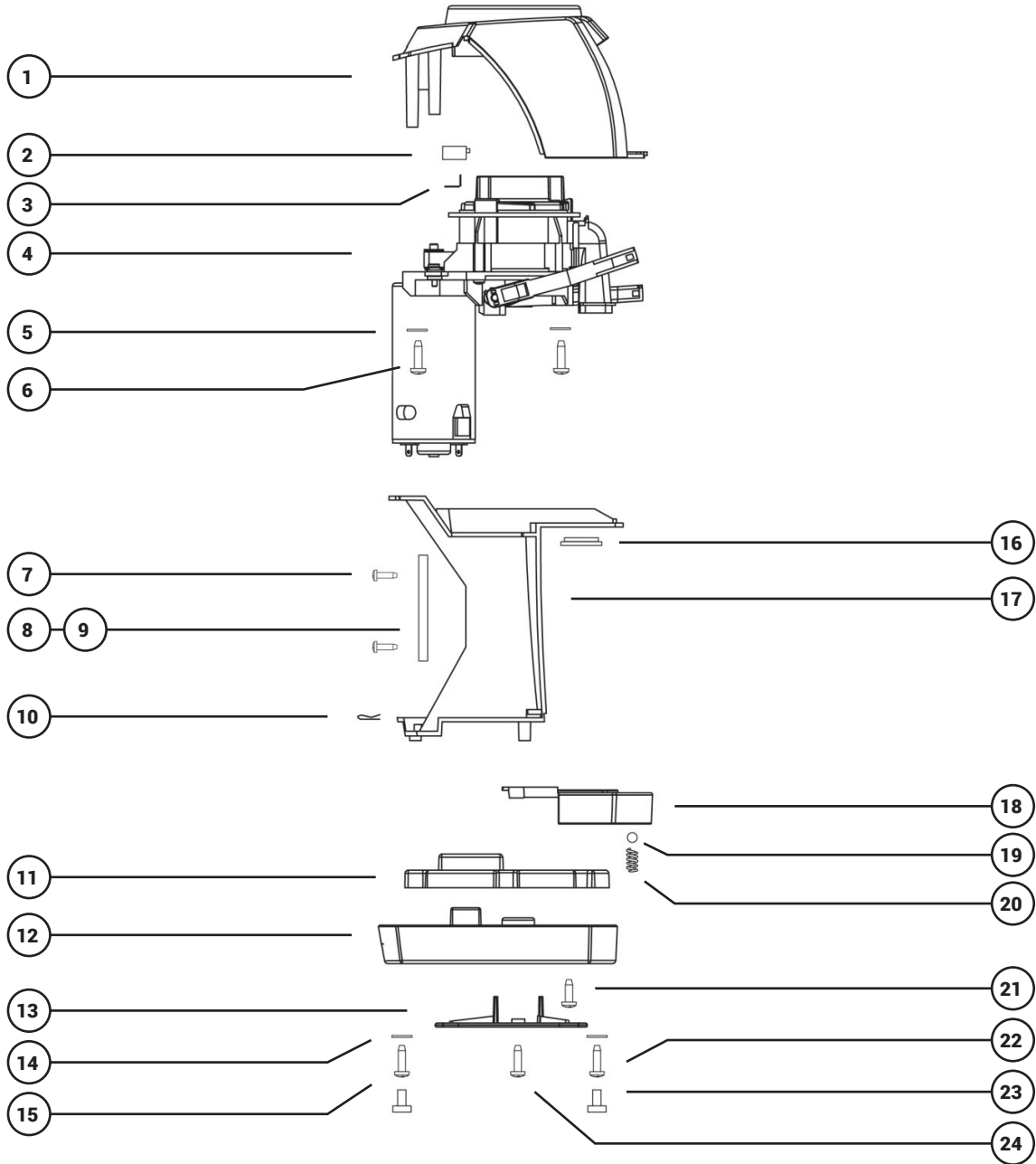
NOTE: No need to stock parts without asterisks



VARIO

Parts List & Exploded View

VARIO MECHANICAL ASSEMBLY



VARIO MECHANICAL ASSEMBLY

Item #	Part #	Part Description	Total Used
1	8301	Top Casting	1
2	6032*	Micro Switch	1
3	8032*	L-Bracket For Microswitch	1
4	NA	Grinding Chamber Assembly	1
5	F8093	M3 External Tooth Star Lock Washer	6
6	F8029*	M3x12 Machine Screw	6
7	FS714*	M3x8 Self Tapping Screw	4
8	8060**	110v Power Board	1
9	8061**	230v Power Board	1
10	F8223	Tinnerman Clip	2
11	8020	Ballast For Vario/W/Forte	1
12	8321	Black Plastic Base (Vario, Vario-W, Forte)	1
13	1022	Black Plastic Cord Cover (Vario, Vario-W, Forte)	1
14	F8093*	M3 External Tooth Star Lock Washer	2
15	F8235*	M3x18 Self-Tapping Screw	2
16	8094	Calibration Grommet	1
17	8023	Chassis (Vario/W/Forte)	1
18	8028	Vario Belt Casting	1
19	8127	Portaholder Ball	1
20	8128	Portaholder Ball Spring	1
21	F6122	M6-1.25x8 Machine Screw	2
22	F8029	M3x12 Machine Screw	2
23	6049*	Rubber Foot	4
24	F6121	M3.5x11 Plastic Thread Cutting Screw	5
NA	6028*	Motor Ground Wire	1

** Frequently needed service parts

* Occasionally needed service parts

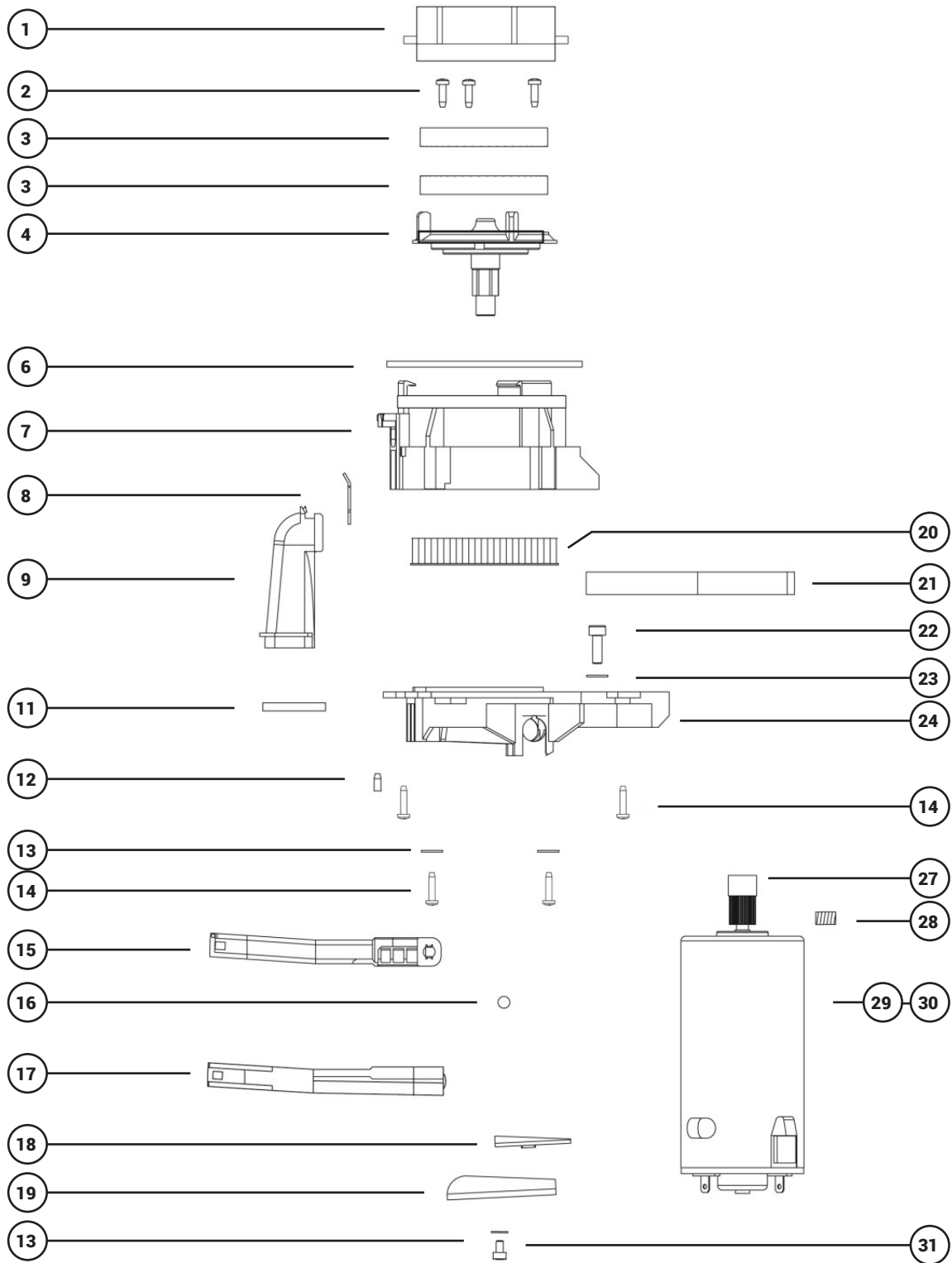
NOTE: No need to stock parts without asterisks



VARIO

Parts List & Exploded View

VARIO GRIND ASSEMBLY COMPONENTS



VARIO GRIND ASSEMBLY COMPONENTS

Item #	Part #	Part Description	Total Used
1	8067	Upper Burr Carrier (rev. 1.2) (Vario/Vario-W)	1
2	F8175*	M4x8 Cheese Head Machine Screw For Ceramic Burr	6
3	8174*	Ceramic Burrs (Each)	2
4	8070	Vario Rotating Burr Carrier	1
6	8224	Grind Chamber Gasket	1
7	8024*	Plastic Grind Chamber (with bushing)	1
8	8087	Anti-Static Flapper	1
9	8088	Discharge Chute	1
11	8089	Ground Chute Gasket (Vario/W/Forte)	1
12	F8096*	M4x6.5 Set Screw With Custom Tip	1
13	F8093	M3 External Tooth Star Lock Washer	4
14	F8302*	M3.5x16 Plastic Thread Cutting Screw	4
15	8053	Plastic Micro Adjustment Arm	1
16	8051	Micro Cam	1
17	8052	Plastic Macro Adjustment Arm	1
18	8046*	Grind Adjustment Spline	1
19	8045*	Adjustment Rocker	1
20	8056*	Vario/Vario-W Main Drive Gear W/ Metal Sleeve	1
21	8077	Htd Belt 112mxl (Not Sold Separately)	1
22	F6189*	M5x12 Machine Screw	2
23	F6190*	M5 External Tooth Star Lock Washer	2
24	8091*	Motor Plate (W/4 Grommet Sleeve Assemblies And Bushing)	1
27	8090	Vario/Vario-W Helical Motor Drive Pulley W/ Set Screw (Not Sold Separately)	1
27	8092	Vario/Vario-W HYBRID Motor Drive Pulley W/ Set Screw (Not Sold Separately)	1
28	F8296*	M4x6 Point Tip Hardened Set Screw	1
29	6026*	110v Motor	1
30	6027*	230v Motor	1
31	F8095*	M3x8 Machine Screw	1
NS	6390**	Vario/Vario-W Helical Pulley W/Set Screw & Belt (Kit)	1
NS	6392**	Vario/Vario-W HYBRID Pulley w/Set Screw & Belt (Kit)	1
NS	8097	Jumper Wire P3 To Display	1
NS	8098	Jumper Wire P3 To Microswitch	1

** Frequently needed service parts * Occasionally needed service parts **NOTE:** No need to stock parts without asterisks