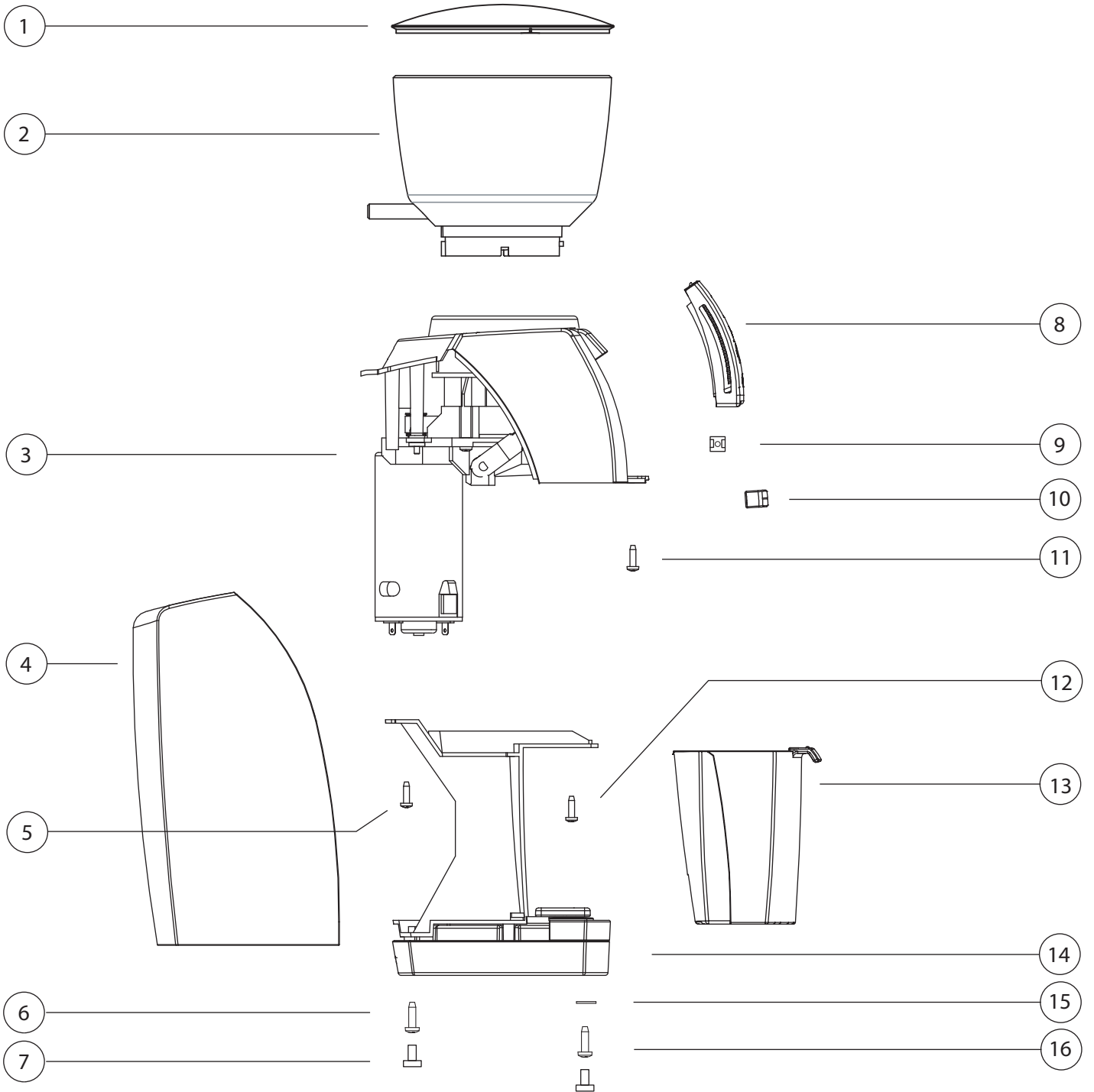




# Vario W+

Parts List & Exploded View

## PRIMARY COMPONENTS



## PRIMARY COMPONENTS

Item #	Part #	Part Description	Total Used
1	1010**	Hopper Lid Clear	1
2	1012**	Shut Off Hopper (rev. 1.2) with Spring Ball	1
3	NA	Grind Chamber Top Casting (Assembly)	1
4	8037-BLK	Black Plastic Rear Housing (Baratza Logo) (Vario+, Vario W+)	1
4	8037-WHT	White Plastic Rear Housing (Baratza Logo) (Vario+, Vario W+)	1
5	F8029*	M3x12 Machine Screw	2
6	F8235*	M3x18 Self-Tapping Screw	2
7	6049*	Rubber Foot	4
8	9078-BLK*	Black Vario W+ Display Assembly	1
8	9078-WHT*	White Vario W+ Display Assembly	1
9	8057	Knob Mount (Black) (Vario+, Vario W+)	2
10	8055	Knob (Metal) (Vario+, Vario W+)	2
11	F8275	M3x5 Countersunk Self-Tapping Screw	1
12	F8214	M3x4 Countersunk Machine Screw	2
13	9160*	Grounds Bin (Vario-W, Forte)	1
14	NA	Main Structure (Assembly)	1
16	F8093	M3 External Tooth Star Lock Washer	2
15	F8235	M3x18 Self-Tapping Screw	2

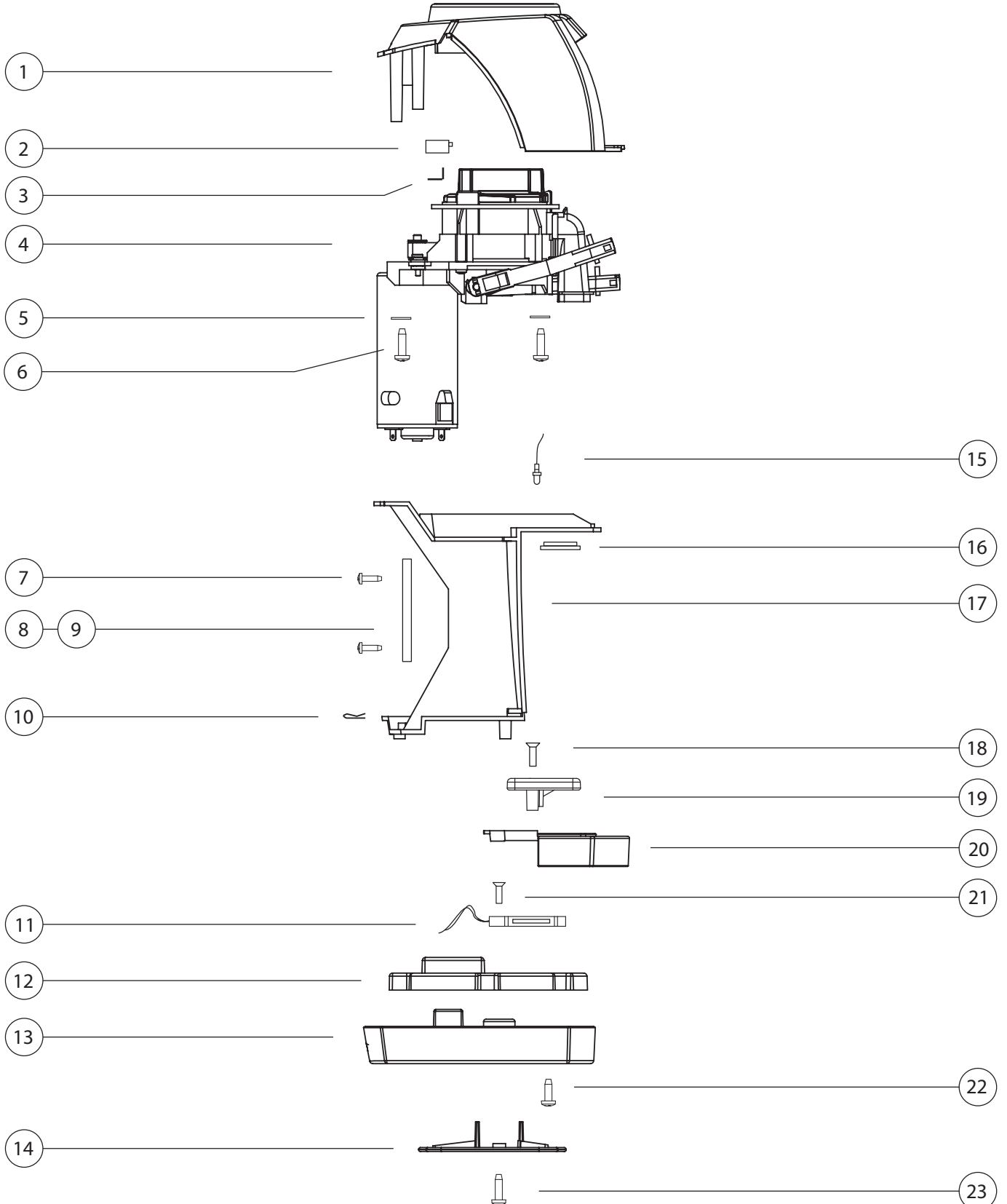
\*\* Frequently needed service parts \* Occasionally needed service parts **NOTE:** No need to stock parts without asterisks



# Vario W+

Parts List & Exploded View

## MECHANICAL ASSEMBLY



## MECHANICAL ASSEMBLY

Item #	Part #	Part Description	Total Used
1	9330-BLK	Black Top Casting with nickel plating and pad printing (Vario W+)	1
1	9330-WHT	White Top Casting with painting and pad printing (Vario W+)	1
2	6032*	Micro Switch	1
3	8032*	L-Bracket for Microswitch	1
4	NA	Grinding Chamber Assembly	1
5	F8093	M3 External Tooth Star Lock Washer	6
6	F8029	M3x12 machine screw	2
7	FS714	M3x8 self tapping screw	4
8	9060**	110v Power Board (Vario-W)	1
9	9061**	230v Power Board (Vario-W)	1
10	F8223	Tinnerman Clip	2
11	9085*	Load Cell (Vario-W, Forte)	1
12	8020	Ballast for Vario/W/Forte	1
13	8321	Black Plastic Base (Vario, Vario-W, Forte)	1
13	8321-WHT	White Plastic Base (Vario(+), Vario W(+))	1
14	1022	Black Plastic Cord Cover (Vario, Vario-W, Forte)	1
14	1022-WHT	White Plastic Cord Cover (Vario+, Vario W+)	1
15	1369	LED into Grounds Bin	2
16	8094	Calibration Grommet	1
17	8023	Chassis (Vario/W/Forte)	1
17	8023-WHT	White Chassis (Vario+, Vario W+)	1
18	F9285	M3x18 Countersunk Machine Screw	2
19	9086	Black Weight Platform (Vario-W, Forte)	1
19	9086-WHT	White Weight Platform (Vario W+)	1
20	9027	Belt Casting (Vario-W, Forte)	1
21	F1250	M3x8 Countersunk Machine Screw	2
22	F6122	M6-1.25x8 Machine Screw	2
23	F6121	M3.5x11 Plastic Thread Cutting Screw	5
NS	9029	Load cell ground wire (35mm) (Vario-W/Forte)	1
NS	6028	Motor Ground Wire	1

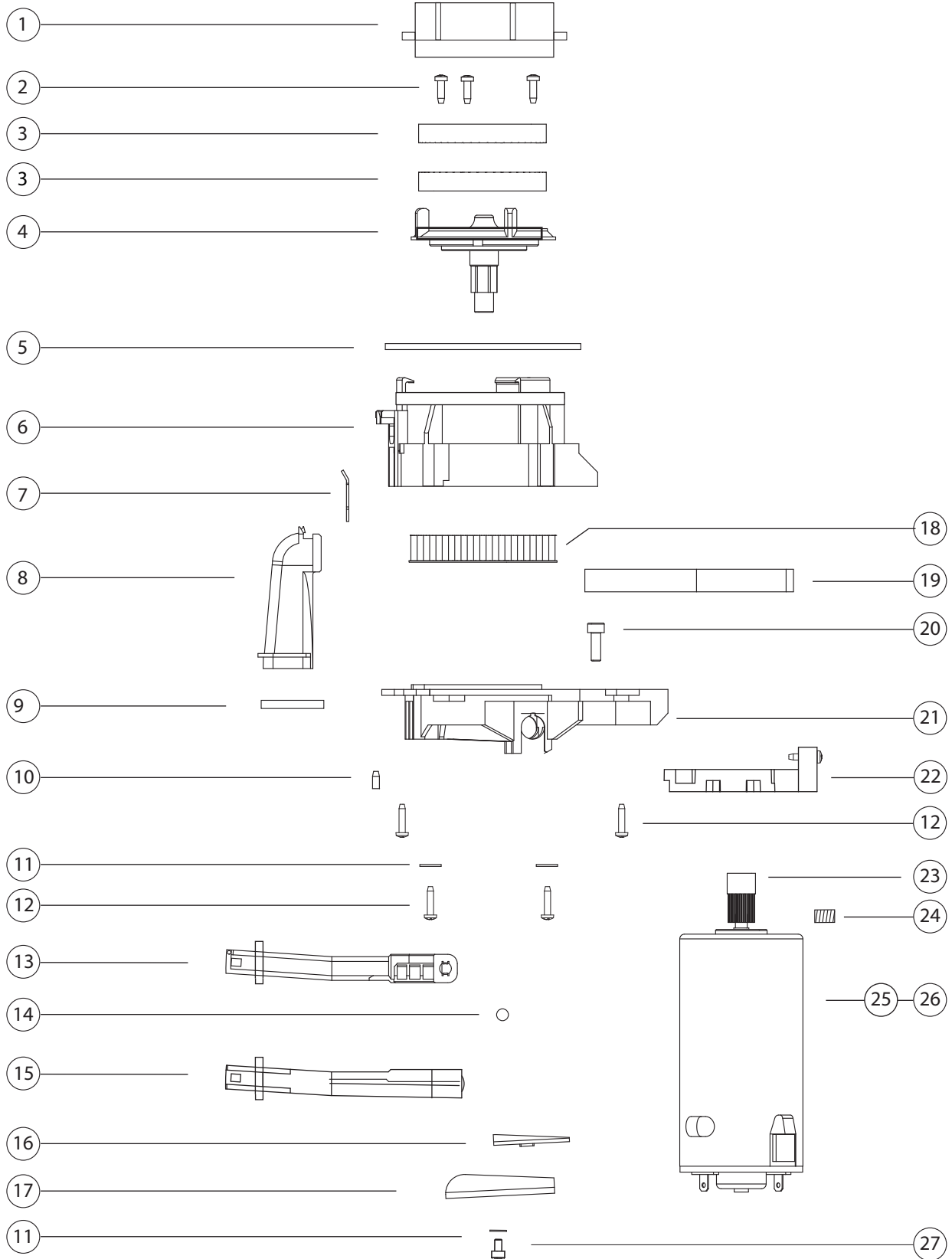
\*\* Frequently needed service parts \* Occasionally needed service parts **NOTE:** No need to stock parts without asterisks



# Vario W+

Parts List & Exploded View

## GRIND ASSEMBLY COMPONENTS



## GRIND ASSEMBLY COMPONENTS

Item #	Part #	Part Description	Total Used
1	8067	Upper Burr Carrier (rev. 1.2) (Vario/Vario-W)	1
2	F8175*	M4x8 Cheese Head Machine Screw for Ceramic Burr	6
3	8174*	Ceramic Burrs (each) (with 3 screws (F8175))	2
4	8070*	Vario Rotating Burr Carrier	1
5	8224	Grind Chamber Gasket	1
6	1024	Metal Threaded Grind Chamber (With Bushing)	1
7	8087	Anti-Static Flapper	1
8	8088	Discharge Chute	1
9	8089	Ground Chute Gasket (Vario/W/Forte)	1
10	F8096*	M4x6.5 Set Screw with Custom Tip	1
11	F8093	M3 External Tooth Star Lock Washer	4
12	F8302*	M3.5x16 plastic thread cutting screw	4
13	8053	Plastic Micro Adjustment Arm	1
14	8051	Micro Cam	1
15	8052	Plastic Macro Adjustment Arm	1
16	8046	Grind Adjustment Spline	1
17	8045	Adjustment Rocker	1
18	8056	Vario/Vario-W Main Drive Gear w/ Metal Sleeve	1
19	8077	HTD Belt 112mxl (Not Sold Separately)	1
20	F6189*	M5x12 Machine Screw	2
21	8091*	Motor Plate (W/4 Grommet Sleeve Assemblies And Bushing)	1
22	8078	Belt Tensioning Bracket w/ screw for Vario Series	1
23	8099	Vario/W D-Shaft Motor Drive Pulley w/ Set Screw (not sold separately)	1
24	F8296*	M4x5 Point Tip Hardened Set Screw	1
25	1036*	120V Motor D-Shaft (Vario/W, Forte) (use w/6394)	1
26	1037*	230V Motor D-Shaft (Vario/W, Forte) (use w/6394)	1
27	F8095*	M3x8 Machine Screw	1
NS	6394**	Vario/Vario-W D-shaft Pulley w/ Set Screw & BELT (only compatible w/1036 or 1037)	1
NS	8097	Jumper Wire: Power Board to Display Board (Vario/W/Sette)	1
NS	8098	Jumper Wire: Power Board to Microswitch (Vario/W/Forte)	1
NS	6022	Motor Cable – Red & Black	1
NS	8054	Adjustment Arm Shim	2

\*\* Frequently needed service parts \* Occasionally needed service parts **NOTE:** No need to stock parts without asterisks