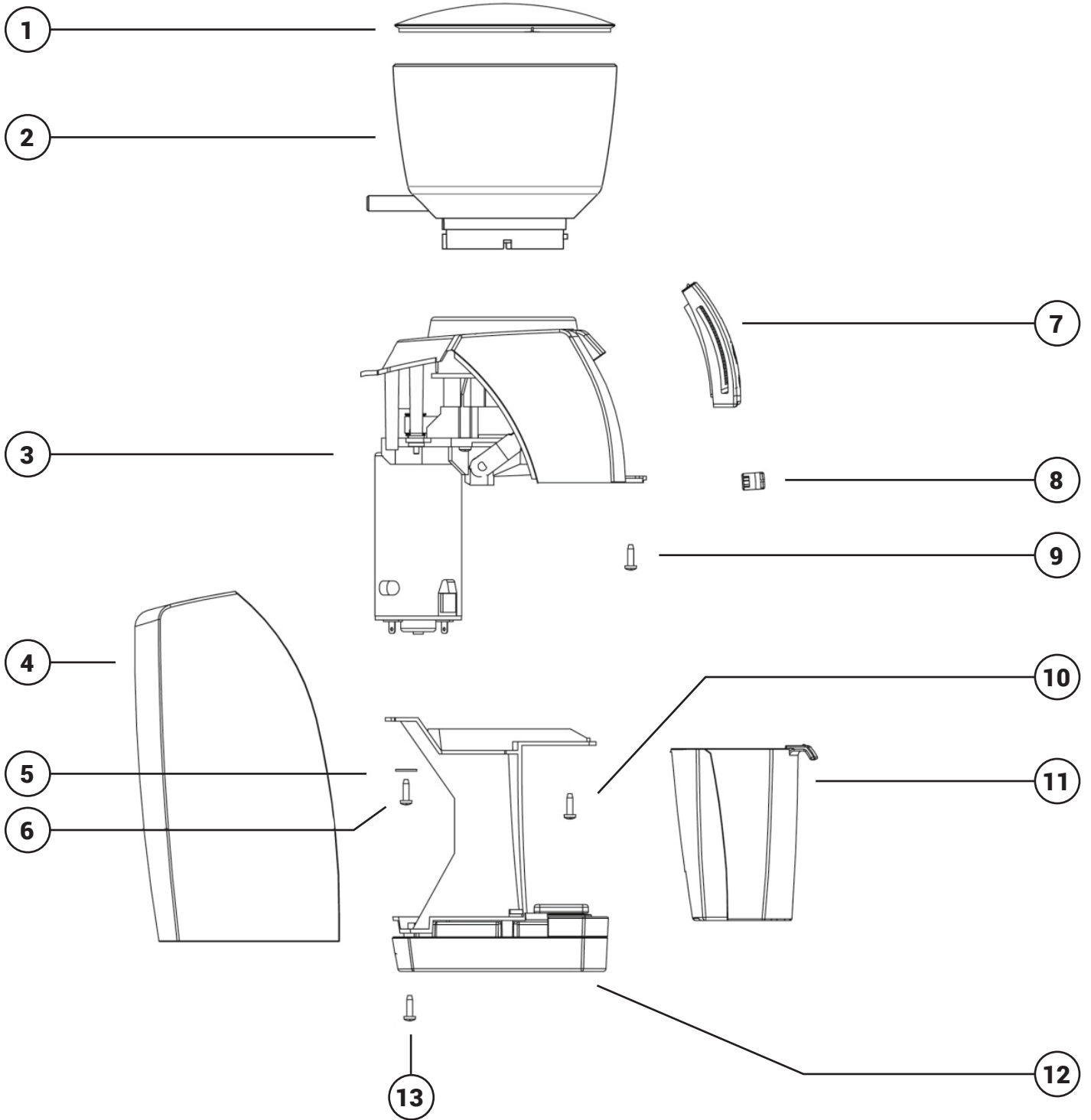




VARIO-W

Parts List & Exploded View

VARIO-W PRIMARY COMPONENTS



VARIO-W PRIMARY COMPONENTS

Item #	Part #	Part Description	Total Used
1	1010**	Hopper Lid Clear	1
2	1012**	Shut Off Hopper (Rev. 1.2) With Spring Ball	1
3	NA	Grind Chamber Top Casting (Assembly)	1
4	8035	Black Plastic Rear Housing	1
5	F8093	M3 External Tooth Star Lock Washer	2
6	F8029	M3x12 Machine Screw	2
7	9074*	Vario-W Display Assembly	1
8	8050**	Vario Knob	2
9	F8275	M3x5 Countersunk Self-Tapping Screw	1
10	F8214	M3x4 Countersunk Machine Screw	2
11	9160*	Grounds Bin (Vario-W, Forte)	1
12	NA	Main Structure (Assembly)	1
13	F8235	M3x18 Self-Tapping Screw	2

** Frequently needed service parts

* Occasionally needed service parts

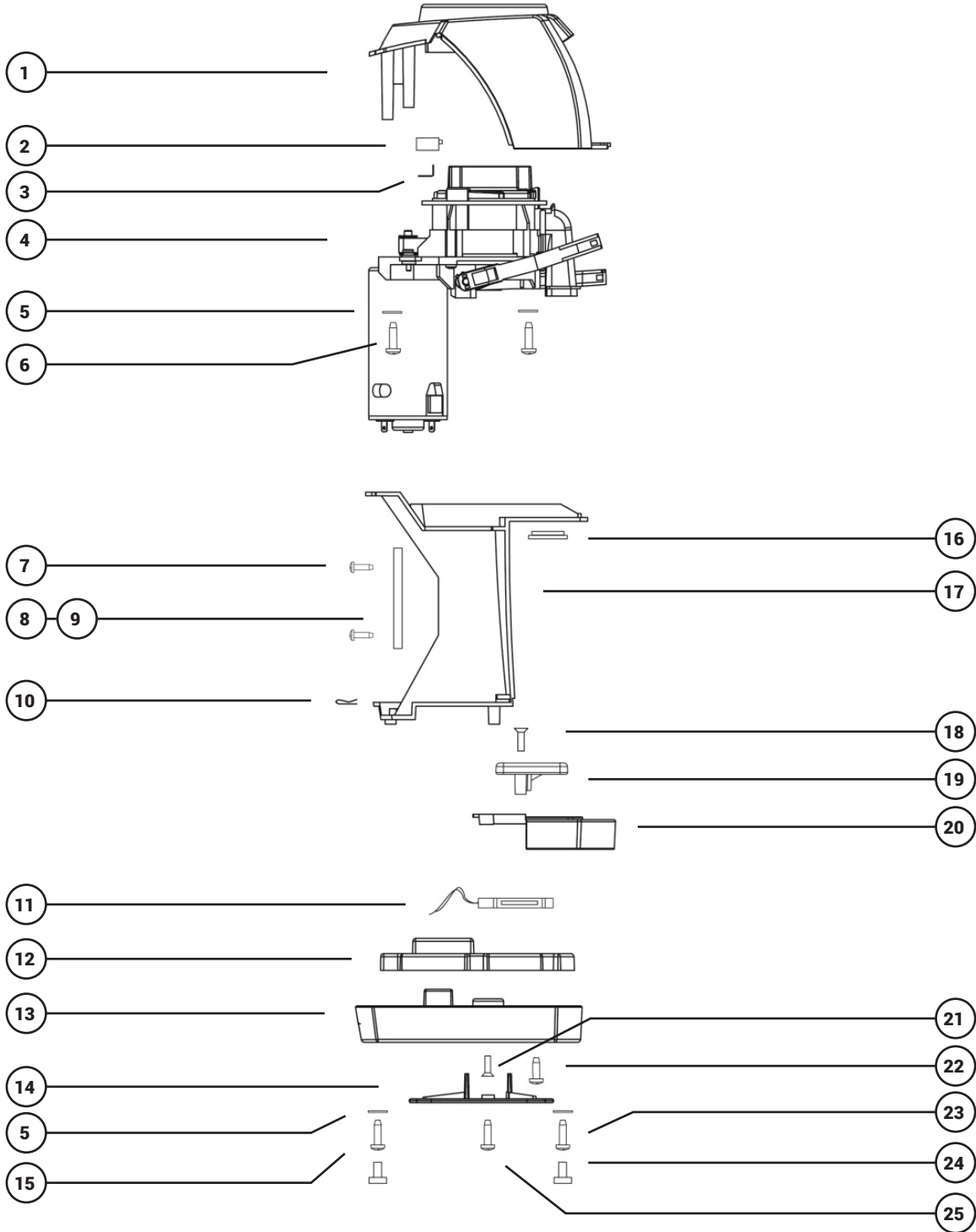
NOTE: No need to stock parts without asterisks



VARIO-W

Parts List & Exploded View

VARIO-W MECHANICAL ASSEMBLY



VARIO-W MECHANICAL ASSEMBLY

Item #	Part #	Part Description	Total Used
1	8301	Top Casting	1
2	6032*	Micro Switch	1
3	8032*	L-Bracket For Microswitch	1
4	NA	Grinding Chamber Assembly	1
5	F8093	M3 External Tooth Star Lock Washer	6
6	F8029	M3x12 Machine Screw	2
7	FS714	M3x8 Self Tapping Screw	4
8	9060**	110v Power Board (Vario-W)	1
9	9061**	230v Power Board (Vario-W)	1
10	F8223	Tinnerman Clip	2
11	9085*	Load Cell (Vario-W, Forte)	1
12	8020	Ballast For Vario/W/Forte	1
13	8321	Black Plastic Base (Vario, Vario-W, Forte)	1
14	1022	Black Plastic Cord Cover (Vario, Vario-W, Forte)	1
15	F8235	M3x18 Self-Tapping Screw	2
16	8094	Calibration Grommet	1
17	8023	Chassis (Vario/W/Forte)	1
18	F9285	M3x18 Countersunk Machine Screw	2
19	9086	Black Weight Platform (Vario-W, Forte)	1
20	9027	Belt Casting (Vario-W, Forte)	1
21	F1250	M3x8 Countersunk Machine Screw	2
22	F6122	M6-1.25x8 Machine Screw	2
23	F8228	M3x10 Truss Head Machine Screw	2
24	6049*	Rubber Foot	4
25	F6121	M3.5x11 Plastic Thread Cutting Screw	5
NS	9029	Load cell ground wire (35mm) (Vario-W/Forte)	1
NS	6028	Motor Ground Wire	1

** Frequently needed service parts

* Occasionally needed service parts

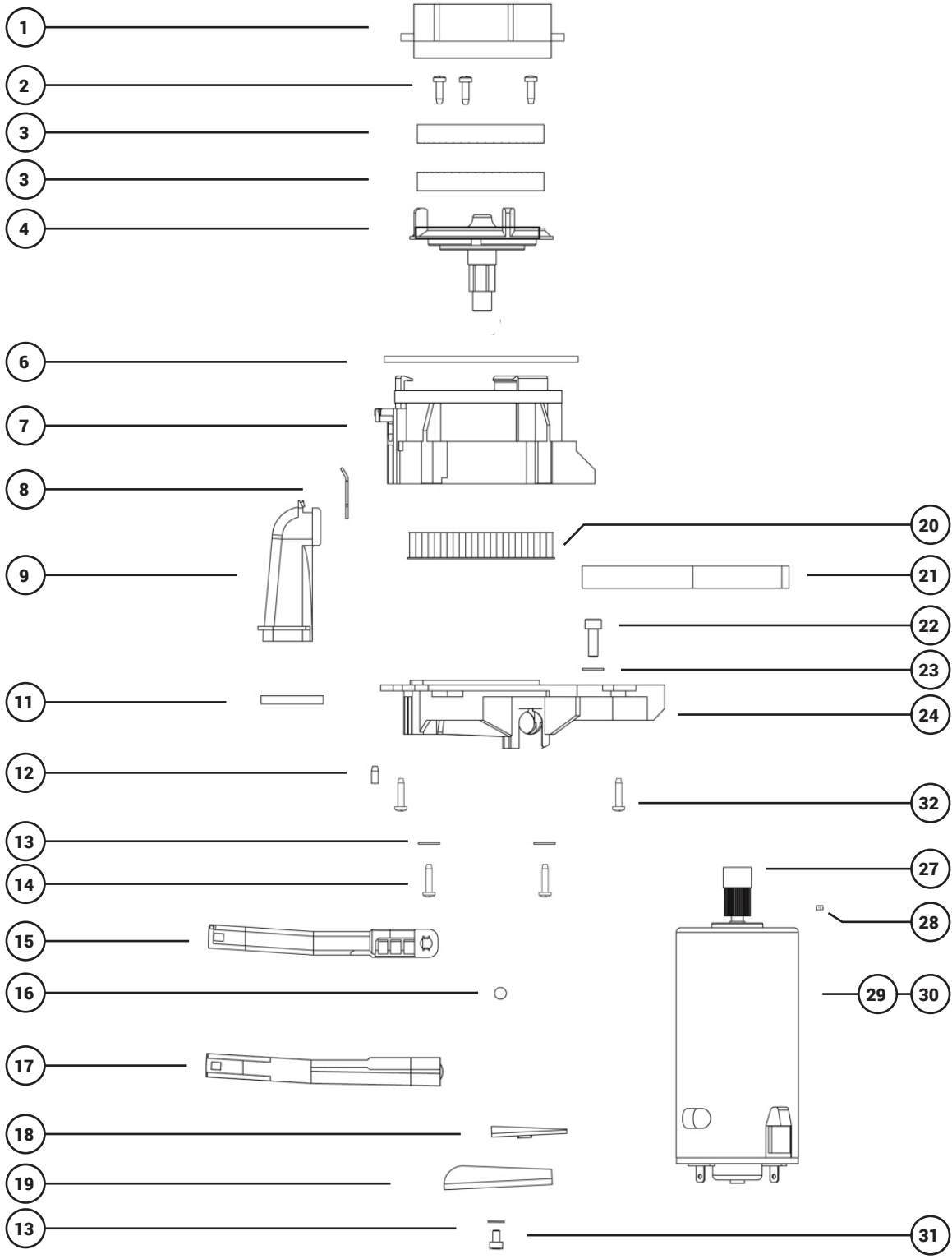
NOTE: No need to stock parts without asterisks



VARIO-W

Parts List & Exploded View

VARIO-W GRIND ASSEMBLY COMPONENTS



VARIO-W GRIND ASSEMBLY COMPONENTS

Item #	Part #	Part Description	Total Used
1	8067	Upper Burr Carrier (rev. 1.2) (Vario/Vario-W)	1
2	F8175*	M4x8 Cheese Head Machine Screw For Ceramic Burr	6
3	8174*	Ceramic Burrs (each) (with 3 screws (F8175))	2
4	8070*	Vario Rotating Burr Carrier	1
6	8224	Grind Chamber Gasket	1
7	8024*	Plastic Grind Chamber (with bushing)	1
8	8087	Anti-Static Flapper	1
9	8088	Discharge Chute	1
11	8089	Ground Chute Gasket (Vario/W/Forte)	1
12	F8096*	M4x6.5 Set Screw With Custom Tip	1
13	F8093	M3 External Tooth Star Lock Washer	4
14	F8302*	M3.5x16 Plastic Thread Cutting Screw	4
15	8053	Plastic Micro Adjustment Arm	1
16	8051	Micro Cam	1
17	8052	Plastic Macro Adjustment Arm	1
18	8046	Grind Adjustment Spline	1
19	8045	Adjustment Rocker	1
20	8056	Vario/Vario-W Main Drive Gear W/ Metal Sleeve	1
21	8077	Htd Belt 112mxl (Not Sold Separately)	1
22	F6189*	M5x12 Machine Screw	2
23	F6190*	M5 External Tooth Star Lock Washer	2
24	8091*	Motor Plate (W/4 Grommet Sleeve Assemblies And Bushing)	1
27	8090	Vario/Vario-W Helical Motor Drive Pulley W/ Set Screw (Not Sold Separately)	1
27	8099	Vario/W D-Shaft Motor Drive Pulley w/ Set Screw (not sold separately)	1
28	F8296*	M4x5 Point Tip Hardened Set Screw	1
29	1036*	120V Motor D-Shaft (Vario/W, Forte) (use w/6394)	1
30	1037*	230V Motor D-Shaft (Vario/W, Forte) (use w/6394)	1
31	F8095*	M3x8 Machine Screw	1
32	F8029*	M3x12 Machine Screw	4
NS	6390*	Vario/Vario-W Helical Pulley w/Set Screw & Belt (Kit) (only compatible w/6026 & 6027)	1
NS	6394**	Vario/Vario-W D-shaft Pulley w/ Set Screw & BELT (only compatible w/1036 or 1037)	1
NS	8097	Jumper Wire: Power Board to Display Board (Vario/W/Sette)	1
NS	8098	Jumper Wire: Power Board to Microswitch (Vario/W/Forte)	1
NS	6022	Motor Cable – Red & Black	1
NS	8054	Adjustment Arm Shim	2

** Frequently needed service parts * Occasionally needed service parts **NOTE:** No need to stock parts without asterisks