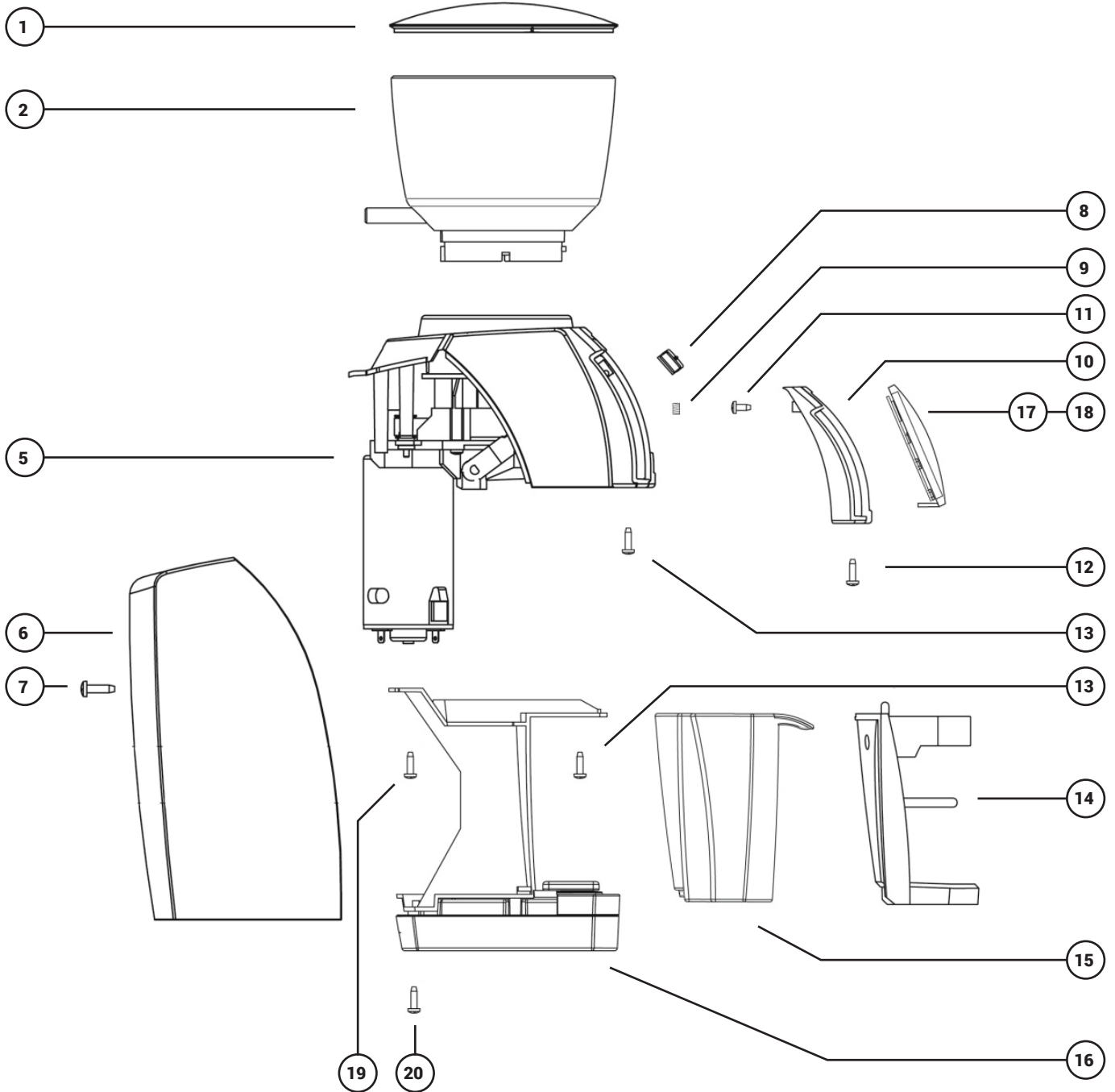




Forté

Parts List & Exploded View

FORTÉ MAIN ASSEMBLY



FORTÉ MAIN ASSEMBLY

Item #	Part #	Part Description	Total Used
1	1010**	Hopper Lid Clear	1
2	1012**	Shut Off Hopper (Rev. 1.2) With Spring Ball	1
5	NA	Grind Chamber And Top Casting (Complete Assembly)	1
6	1035	Metal Back Housing	1
7	F1235*	M3x27 Countersunk Machine Screw	1
8	1049*	Metal Knobs	2
9	F1250*	M3x8 Countersunk Machine Screw	2
10	1051	Front Casting	1
11	F1236*	M4x8 Truss Head Machine Screw	2
12	F8275*	M3x5 Countersunk Self-Tapping Screw	1
13	F8214*	M3x4 Countersunk Machine Screw	4
14	1050	Metal Portaholder (Complete Assembly)	1
15	9160*	Grounds Bin (Vario-W, Forte)	1
16	NA	Main Structure	1
17	1366**	Touch Screen Assembly BG	1
18	1365**	Touch Screen Assembly AP	1
NS	F8093*	M3 External Tooth Star Lock Washer	2
19	F8029*	M3x12 Machine Screw	2
20	F8235*	M3x18 self-tapping screw	2

** Frequently needed service parts

* Occasionally needed service parts

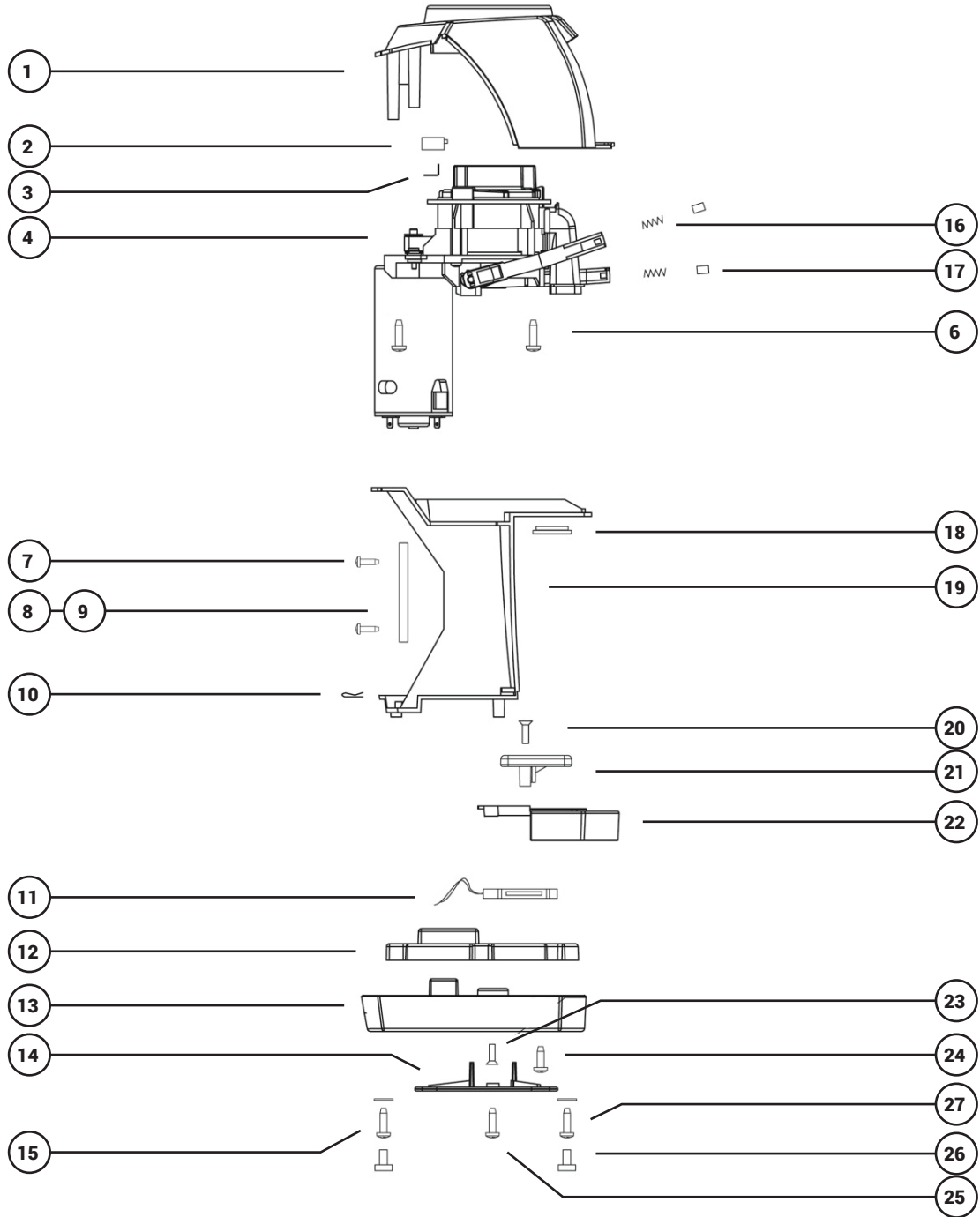
NOTE: No need to stock parts without asterisks



Forté

Parts List & Exploded View

FORTÉ MAIN BODY ASSEMBLY



FORTÉ MAIN BODY ASSEMBLY

Item #	Part #	Part Description	Total Used
1	1014	Modified Top Casting	1
2	6032*	Micro Switch	1
3	8032*	L-Bracket For Microswitch	1
4	NA	Grinding Chamber (Complete Assembly)	1
6	F8029*	M3x12 Machine Screw	4
7	FS714*	M3x8 Self Tapping Screw	4
8	1060**	110v Power Board With Single Ptc (Forte)	1
9	1061**	230v Power Board With Single Ptc (Forte)	1
10	F8223	Tinnerman Clip	2
11	9085**	Load Cell (Vario-W, Forte)	1
12	8020	Ballast For Vario/W/Forte	1
13	8321	Black Plastic Base (Vario, Vario-W, Forte)	1
14	1022	Black Plastic Cord Cover (Vario, Vario-W, Forte)	1
15	F8235	M3x18 Self-Tapping Screw	2
16	1297**	Lever Knob Spring	2
17	1098**	Metal Detent (Sintered) (Forte)	2
18	8094	Calibration Grommet	1
19	8023	Chassis (Vario/W/Forte)	1
20	F9285*	M3x18 Countersunk Machine Screw	2
21	9086	Black Weight Platform (Vario-W, Forte)	1
22	9027	Belt Casting (Vario-W, Forte)	1
23	F1250*	M3x8 Countersunk Machine Screw	2
24	F6122*	M6-1.25x8 Machine Screw	2
25	F6121*	M3.5x11 Plastic Thread Cutting Screw	5
26	6049**	Rubber Foot	4
27	F8228*	M3x10 Truss Head Machine Screw	2
NS	1097	Jumper wire: Power Board to Display Board (Forte)	1
NS	8098	Jumper Wire: Power Board to Microswitch (Vario/W/Forte)	1
NS	F8093*	M3 External Tooth Star Lock Washer	2
NS	9029	Load cell ground wire (35mm) (Vario-W/Forte)	1

** Frequently needed service parts

* Occasionally needed service parts

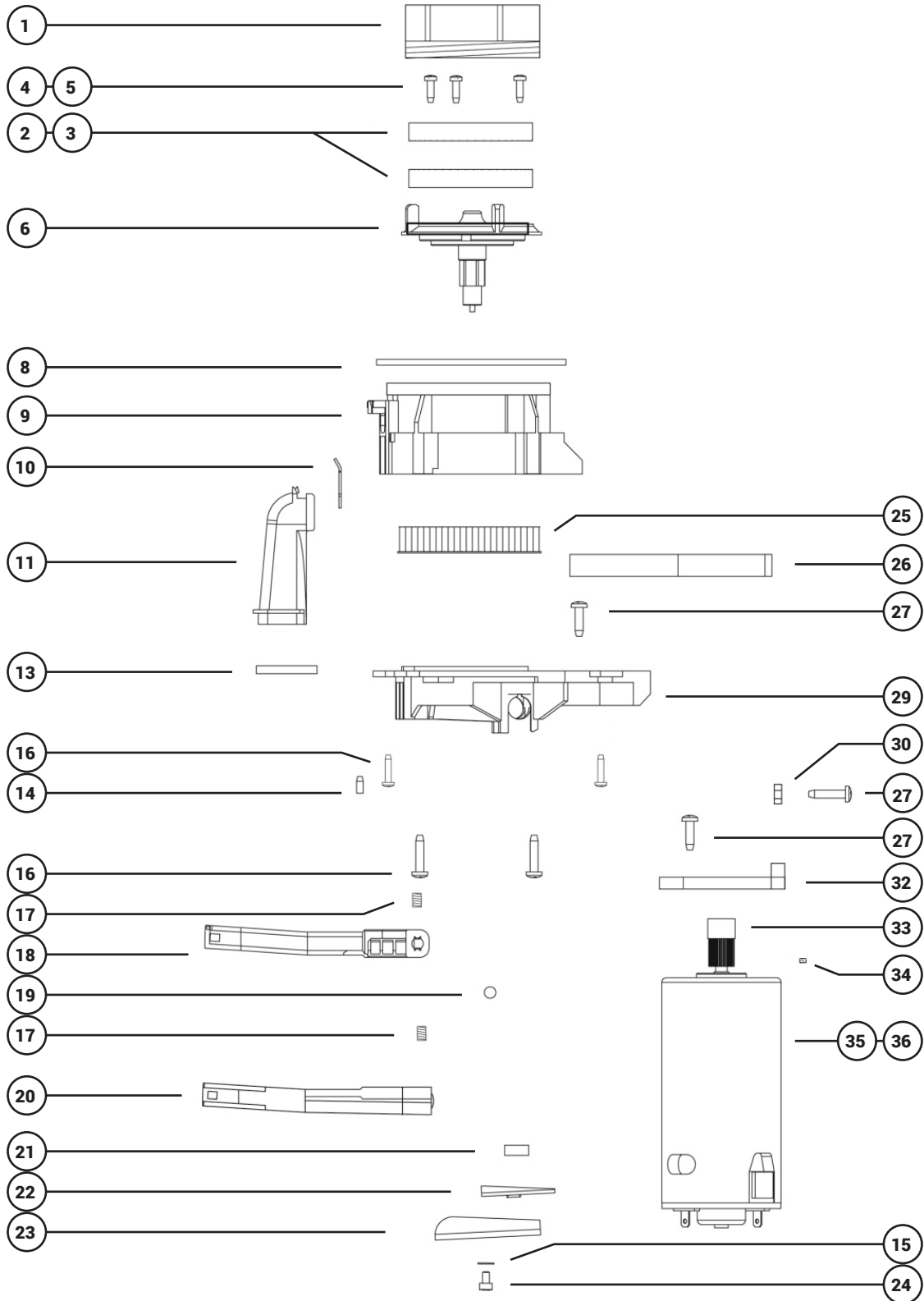
NOTE: No need to stock parts without asterisks



Forté

Parts List & Exploded View

FORTÉ GRIND/MOTOR ASSEMBLY



FORTÉ GRIND/MOTOR ASSEMBLY

Item #	Part #	Part Description	Total Used
1	1067*	Threaded Upper Burr Carrier (Rev. 1.2) Shorter Wings	1
2	8174*	Ceramic Burrs (each) (with 3 screws (F8175))	2
3	8170*	Steel Burrs (pair) (with 6 screws (F8171))	1
4	F8175*	M4x8 Cheese Head Machine Screw For Ceramic Burr	6
5	F8171*	M4x8 Cheese Head Machine Screw For Steel Burr	6
6	1070	Rotating Burr Carrier	1
8	8224	Grind Chamber Gasket	1
9	1024	Metal Threaded Grind Chamber (With Bushing)	1
10	8087	Anti-Static Flapper	1
11	8088	Discharge Chute	1
13	8089	Ground Chute Gasket	1
14	F8096*	M4x6.5 Set Screw With Custom Tip	1
15	F8093*	M3 External Tooth Star Lock Washer	1
16	F8029*	M3x12 Machine Screw	8
17	F1253	M3x4 Flat Tip Set Screw	2
18	1053	Metal Micro Adjustment Arm (Left)	1
19	8051	Micro Cam	1
20	1052	Metal Macro Adjustment Arm (Right)	1
21	1245	Thrust Bearing	1
22	1046*	Forté Grind Adjustment Spline	1
23	8045*	Adjustment Rocker	1
24	F8095*	M3x8 Machine Screw	1
25	1056	Forte Main Drive Gear W/ Metal Sleeve	1
26	1027	GT3 Belt	1
27	F6189*	M5x12 Machine Screw	5

FORTÉ GRIND/MOTOR ASSEMBLY (CONTINUED)

Item #	Part #	Part Description	Total Used
29	8091	Motor Plate (W/4 Grommet Sleeve Assemblies And Bushing)	1
30	F1290*	M5 Square Nut	1
32	1292	Motor Tensioner Plate	1
33	1090*	Forte Helical Motor Drive Pulley W/ Set Screw	1
33	1094**	Forte D-Shaft Motor Drive Pulley w/ Set Screw	1
34	F8296**	M4x5 point tip hardened set screw	1
35	1036*	120V Motor D-Shaft (Vario/W/Forte) (use w/pulley kit 6394 or 1094)	1
36	1037*	230V Motor D-Shaft (Vario/W/Forte) (use w/pulley kit 6394 or 1094)	1
NS	6028*	Motor Ground Wire	1
NS	6022	Motor Cable – Red & Black	1

** Frequently needed service parts

* Occasionally needed service parts

NOTE: No need to stock parts without asterisks